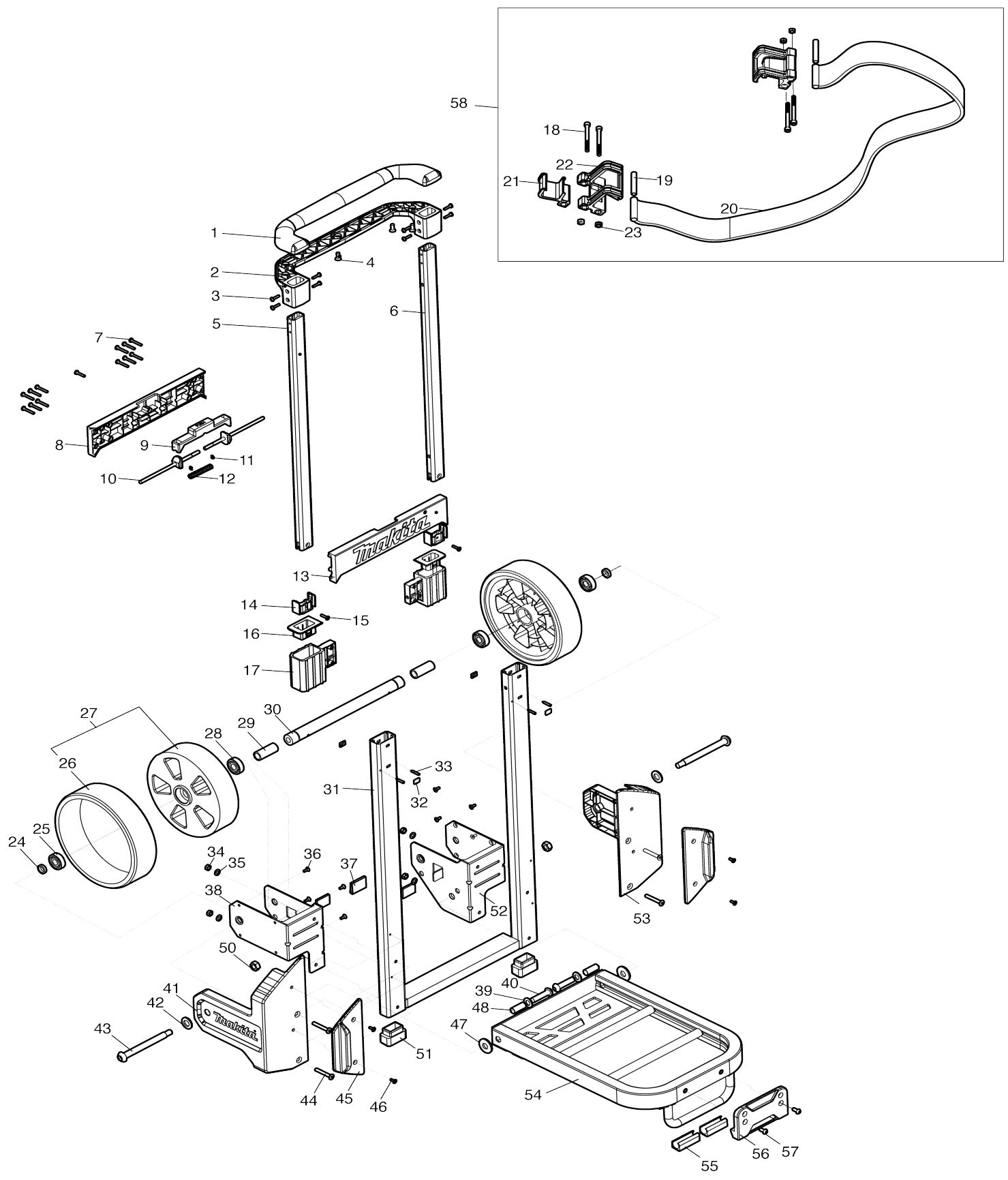


Model No.TR00000001 TROLLEY FOR MAKPAC



## Model No.TR00000001 TROLLEY FOR MAKPAC

Item No.	Parts No.	Description
001	TR00000049	HANDLE UPPER PART
002	TR00000047	HANDLE LOWER PART
003	TR00000046	HEXAGON SOCKET SCREW M4X10
004	TR00000048	SELF-TAPPING SCREW ST6.3X25
005	TR00000050	ON THE ROD R
006	TR00000045	ON THE ROD L
007	TR00000008	ST4.2X25 SELF-TAPPING SCREW
008	TR00000007	LOWER HANDLE 2
009	TR00000005	PRESS BLOCK
010	TR00000006	THE LOCK ROD
011	TR00000003	E-TYPE CLAMP SPRING
012	TR00000004	SPRING 2
013	TR00000040	LOWER HANDLE 1
014	TR00000044	UPPER LIFTING ROD END CAP
015	TR00000043	HEXAGON SOCKET SCREW M4X16
016	TR00000042	LOWER BUSHING
017	TR00000041	CONNECTING BLOCK
018	TR00000053	HEXAGON SOCKET SCREW M6X60
019	TR00000056	PLASTIC TUBE
020	TR00000055	ELASTIC BAND
021	TR00000052	ELASTIC BAND CONNECTION 2
022	TR00000051	ELASTIC BAND CONNECTION 1
023	TR00000054	M6 ANTI-LOOSE NUT
024	TR00000018	SHORT SHAFT SLEEVE
025	TR00000017	6201 BEARING
026	TR00000016	RUBBER HOUSING
027	TR00000015	WHEEL ASSY
027		INC. 26
028	TR00000017	6201 BEARING
029	TR00000014	LONG SHAFT SLEEVE
030	TR00000009	WHEEL SHAFT ASSEMBLY
031	TR00000039	LOWER LIFTING ROD WELDING
032	TR00000038	PLASTIC BLOCK
033	TR00000037	SET SCREW M4X20
034	TR00000012	M6 ANTI-LOOSE NUT
035	TR00000011	M6 WASHER
036	TR00000057	SELF-TAPPING SCREW ST4.2X9.5
037	TR00000010	PROTECTIVE COVER
038	TR00000013	REINFORCING PLATE R
039	TR00000025	M10 WASHER
040	TR00000019	HEXAGON SOCKET M10X45
041	TR00000021	BOTTOM SUPPORT(R)
042	TR00000020	FLAT WASHER 13
042-1	TR00000020	FLAT WASHER 13
043	TR00000035	HEXAGON SOCKET SCREW M10X120

044	TR00000023	HEXAGON SOCKET BOLT M6X40
045	TR00000033	SIDE BAFFLE
046	TR00000024	HEXAGON SOCKET SCREW M4X10
047	TR00000032	ANTI-LOOSE WASHER
048	TR00000031	BUSHING
050	TR00000026	M10 ANTI-LOOSE NUT
051	TR00000022	FOOT-PAD
052	TR00000036	REINFORCING PLATE L
053	TR00000034	BOTTOM SUPPORT(L)
054	TR00000030	WELDING COMPONENTS
055	TR00000027	NON-SLIP SLEEVE
056	TR00000029	FRONT BAFFLE
057	TR00000028	HEXAGON SOCKET SCREW M6X12
058	TR00000064	BELT ASSY
A01	TR00000062	ATTENTION LABEL(FOR EUROPE)